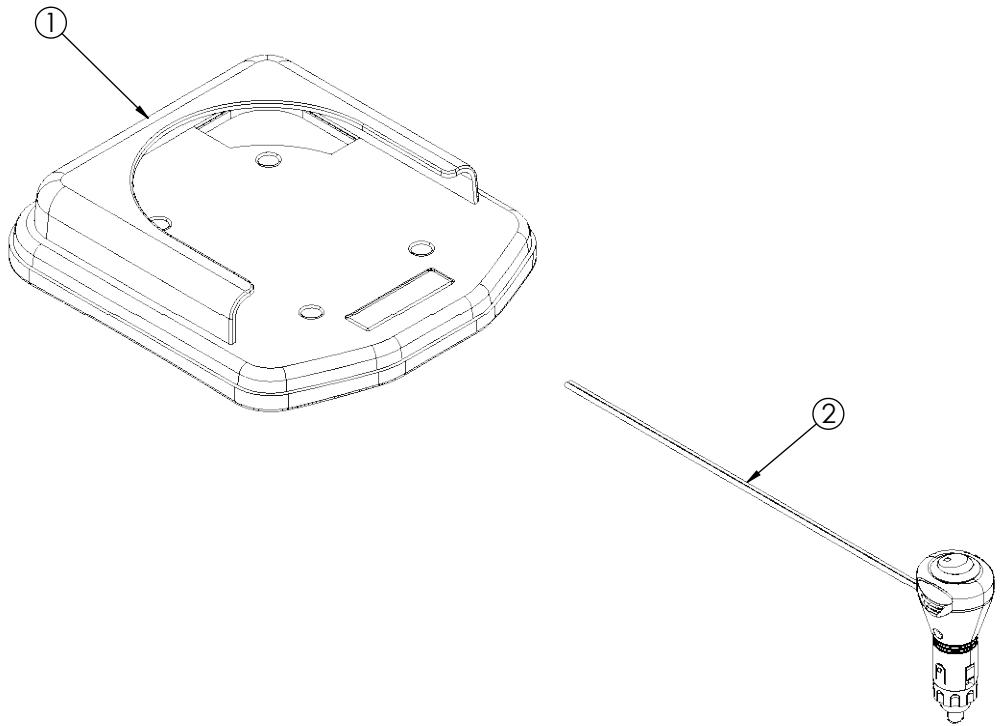


REVISION HISTORY		
REV.	DESCRIPTION	DATE
03	REVISED PER EL0057	2017-08-29
A	INITIAL RELEASE PER EL0057	2017-09-07
B	REVISED PER EC4720	2019-04-05



ITEM NO.	QTY.	DESCRIPTION	COMMENTS
1	1	ASSY,SUB, MAGNETIC MNT PLATE, EW301X,BLK	
2	1	ASSY,CABLE,2-COND,15',CIG-PLUG,W/BULLET	

SCALE 1:3.5		APPROVALS	DATE
CAD GENERATED DRAWING DO NOT MANUALLY UPDATE. MODEL REFERENCED: A		DRAWN BY ABB	2019-04-04
		CHECKED MDH	2019-04-05
TOLERANCES ARE IN INCHES, AND MILLIMETERS TOLERANCES UNLESS OTHERWISE STATED ARE:		MECH. ENG.	
MILLIMETERS DECIMALS XX ± 1.0mm XX.X ± 0.5mm	INCHES DECIMALS X.X ± 0.1 X.XX ± 0.04 X.XXX ± 0.02	ANGLES ± 0.5°	
	FRACTIONS ± 1/64	ELEC. ENG.	
		TEST ENG.	
		SALES. DMV	2019-04-04

ECCO www.eccolink.com
Americas (800) 635-5900 | Europe +44 (0)113 237 5340 | Asia Pacific +61 (0)3 63322444

ACCESSORY MAGNETIC MNT PLATE, EW301X,BLK

CUSTOMER PART NO. **EZ3017** PRODUCT SERIES: **EZ**

SIZE: **A** DWG. NO. **EZ3017** REV. **B**

Project: EL0057 Date Created: 2017-06-14

Electronically Controlled Use Latest Copy SHEET 1 OF 1

PROPRIETARY AND CONFIDENTIAL INFORMATION

THIS DRAWING AND THE DESIGN AND OTHER INFORMATION DISCLOSED HEREIN ARE THE PROPERTY OF ELECTRONIC CONTROLS COMPANY AND/OR ITS ECCO SAFETY GROUP AFFILIATES ("ECCO") AND IS ISSUED IN CONFIDENCE TO RECIPIENT FOR ENGINEERING INFORMATION PURPOSES ONLY. THIS DRAWING AND THE DESIGN AND OTHER INFORMATION DISCLOSED HEREIN MAY NOT BE USED, COPIED, REPRODUCED OR OTHERWISE DISCLOSED IN PART OR IN WHOLE TO THIRD PARTIES OR USED FOR ANY OTHER PURPOSE WITHOUT PRIOR ECCO WRITTEN CONSENT. ECCO RESERVES ALL PATENT, COPYRIGHT, TRADEMARK AND OTHER PROPRIETARY RIGHTS TO THIS DOCUMENT, INCLUDING ALL DESIGN, MANUFACTURING, REPRODUCTION, USE AND SALES RIGHTS THERETO. THIS DRAWING IS SUBJECT TO RECALL BY ECCO AT ANY TIME, AND YOUR POSSESSION AND/OR USE CONSTITUTES ACCEPTANCE OF THESE TERMS. ©2017 ELECTRONIC CONTROLS COMPANY

