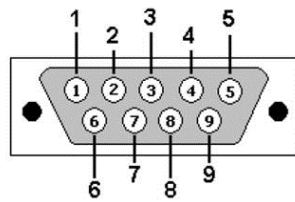


■ **COM1 and COM2 on M/B; Xpansion Module with COM3 and COM4**



| Pin No | RS-232 | RS-422 | RS-485 |
|--------|--------|--------|--------|
| 1 | DCD | TX- | DATA- |
| 2 | RX | TX+ | DATA+ |
| 3 | RTX | RX- | NC |
| 4 | DTR | RX+ | NC |
| 5 | GND | GND | GND |
| 6 | DSR | NC | NC |
| 7 | RTS | NC | NC |
| 8 | CTS | NC | NC |
| 9 | RI | NC | NC |

MB COM1 and COM2 RS232, RS422, RS485 setting is at BIOS setup menu

Xpansion Module COM3 and COM4 RS232, RS422, RS485 setting is as below table

| | SW_MODE_P3 | SW_MODE_P4 |
|-------|------------|------------|
| P3_M0 | 1 = L | ON |
| P3_M1 | 2 = L | ON |
| P3_M2 | 3 = H | OFF |
| P3_S | 4 = L | ON |

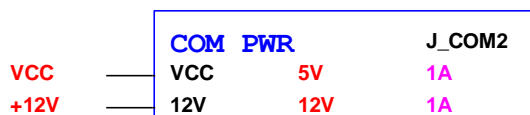
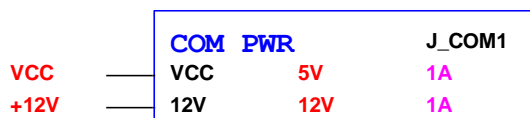
RS485_P3_MODE0 default is LOW

RS485_P3_MODE1 default is LOW

RS485_P3_MODE1 default is HIGH

RS485_P3_SLEW default is LOW

RED color is default setting Default setting-RS232



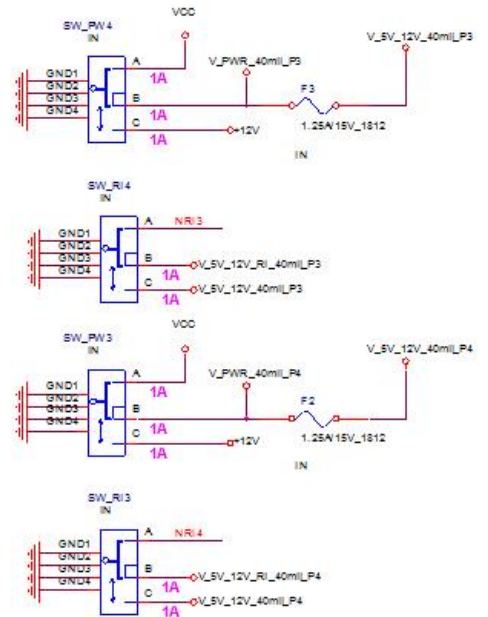
Notes: Don't support Power HOT switch at SW_PW3 and SW_PW4 in Xpansion Module

Below is Xpansion Module with COM3 and COM4: See the power RS232 setting as below table:



| | |
|------------------|-----|
| SW_RI3 SW_RI4 | |
| A | RI |
| C | PWR |

| | |
|------------------|-----|
| SW_PW3 SW_PW4 | |
| A | 5V |
| C | 12V |

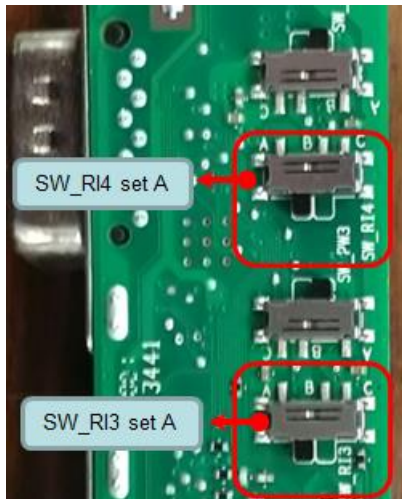


Default setting is RI signal at A location from SW_RI3 and SW_RI4

Power COM setting with RI signal: Default setting

SET at A location from SW_RI3 and SW_RI4

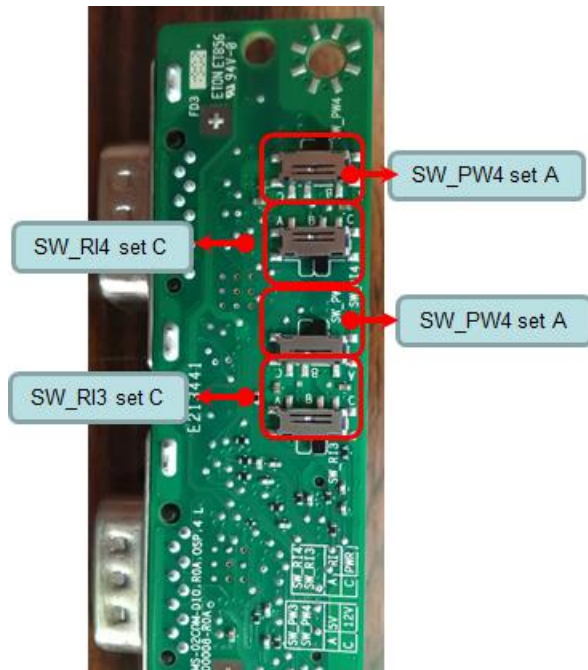
SET at A location from SW_PW3 and SW_PW4



Power 5V setting:

SET at C location from SW_RI3 and SW_RI4

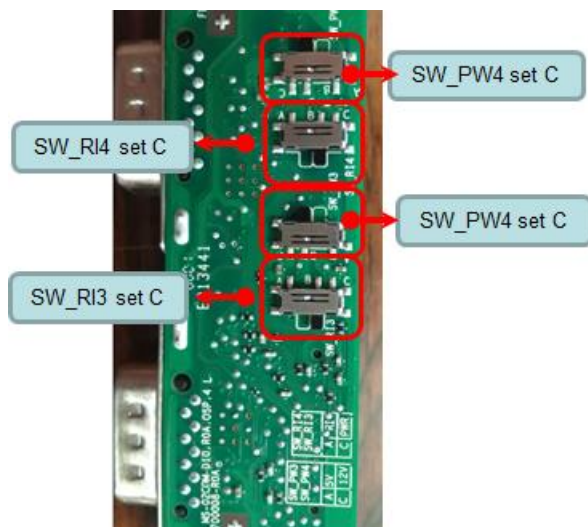
SET at A location from SW_PW3 and SW_PW4



Power 12V setting:

SET at C location from SW_RI3 and SW_RI4

SET at C location from SW_PW3 and SW_PW4



Power 12V setting: Change at C location from SW_RI3 and SW_RI4 and at C location from SW_PW3 and SW_PW4