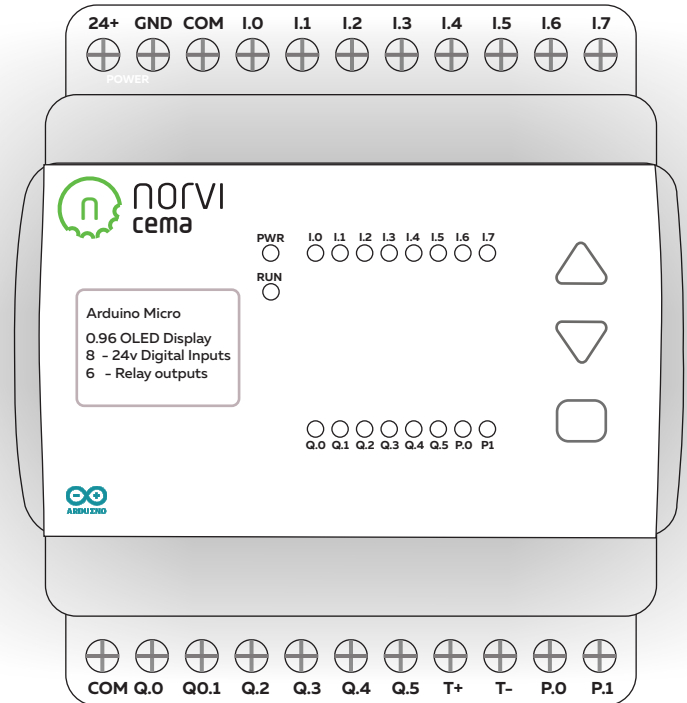


INDUSTRIAL CONTROLLERS

NORVI IIOT

For Industrial IOT Applications



CE EN 61131-2:2007
EN 61010-1:2010+A1:2019
EN IEC 61010-2-201:2018

2014/30/EU- Electromagnetic Compatibility (EMC)
Annex III, Part B, Module C

Ready for the future
NORVI IIOT



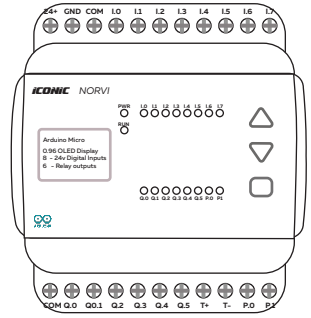
Product line...

NORVI-IIOT-AE01-R

ESP32



- 0.96 OLED Display
- 8 Digital Inputs
- 6 Relay outputs
- 2 Transistor outputs
- RS 485 Communication



NORVI-IIOT-AE01-T

ESP32



- 0.96 OLED Display
- 8 Digital Inputs
- 8 Transistor outputs
- RS 485 Communication

NORVI-IIOT-AE02-V

ESP32



- 0.96 OLED Display
- 8 Digital Inputs
- 6 analog inputs 0 to 10V
- RS 485 Communication

NORVI-IIOT-AE02-I

ESP32



- 0.96 OLED Display
- 8 Digital Inputs
- 6 analog inputs 4 - 20mA
- RS 485 Communication

NORVI-IIOT-AE03

ESP32



- 8 Digital Inputs

Expansions supported

LoRa communications
REYAX RYLR896



NB-IOT
BC95 module



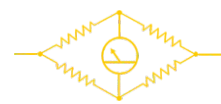
Temperature
MAX31856



Analog
4-20mA / 0 - 10V



Load cell
HX-711



Features

Micro processor

ESP8266 or **ESP32-WROOM32**

Power supply characteristics

24V DC or 230V AC

Connection of the embedded IO

Connection is performed through fixed screw terminal blocks (at intervals of 5.08 mm/0.200 in.)

Digital Inputs

24V DC Sink Source configurable by changing the common line

Storage

4 MB Flash Memory

Embedded display

 128 x 64 OLED Display*

Programming

 Programmable with Arduino IDE

Miscellaneous features

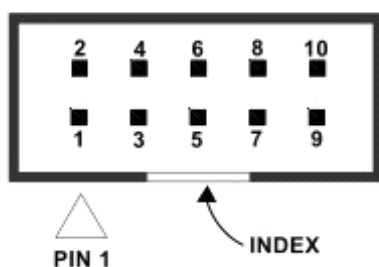
Front panel 3 button keypad*

LED Input/Output/ Communication Indicators

* Only available in ESP32 Varients

GPIO Expansion port

PIN	ESP32 Connection
1	TXD0
2	IO33
3	RXD0
4	Not Connected
5	IO32
6	BOOT IO0
7	SCL IO17
8	Not Connected
9	SDA IO16
10	Ground



Variants

NORVI IIOT



ESP32-WROOM32

NORVI-IIOT-AE01-T

OLED Display 0.96'

8 x Sink/Source Digital Inputs

6 x 5A Relay outputs

2 x NPN Transistor outputs

RS-485 Communication

NORVI-IIOT-AE01-T

OLED Display 0.96'

8 x Sink/Source Digital Inputs

6 x NPN Transistor outputs

RS-485 Communication

NORVI-IIOT-AE02-V

OLED Display 0.96'

8 x Sink/Source Digital Inputs

6 x Analog inputs 0-10v

RS-485 Communication

NORVI-IIOT-AE02-R

OLED Display 0.96'

8 x Sink/Source Digital Inputs

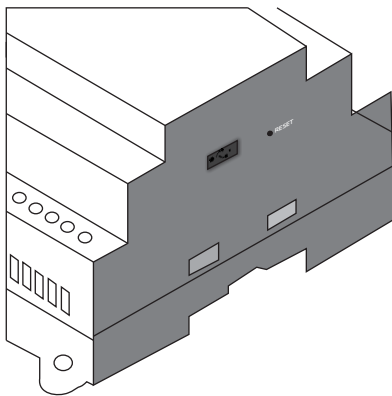
6 x Analog inputs 4-20mA

RS-485 Communication

NORVI-IIOT-AE03

8 x Sink/Source Digital Inputs

RS-485 Communication



High EMI Environments
Industrial Temperatures

For further inquiries and tech support

info@icd.lk

ICONIC DEVICES PRIVATE LIMITED

Head office

183, Maharagama Road

Boralasgamuwa, Sri Lanka

The information provided in this documentation contains general descriptions and/or technical characteristics of the performance of the products contained herein. This documentation is not intended as a substitute for and is not to be used for determining suitability or reliability of these products for specific user applications. It is the duty of any such user or integrator to perform the appropriate and complete risk analysis, evaluation and testing of the products with respect to the relevant specific application or use thereof. Neither Schneider Electric nor any of its affiliates or subsidiaries shall be responsible or liable for misuse of the information contained herein.